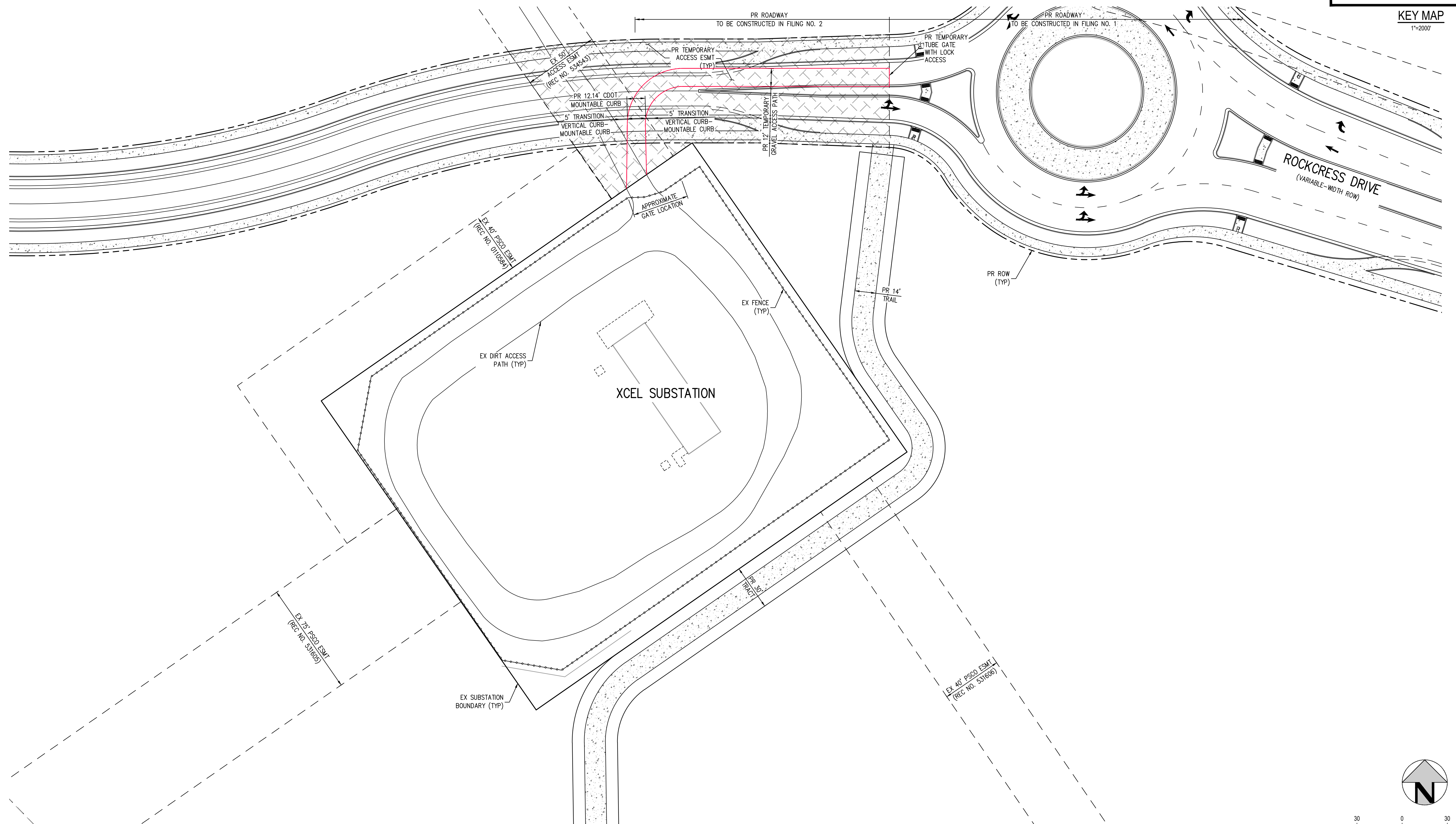
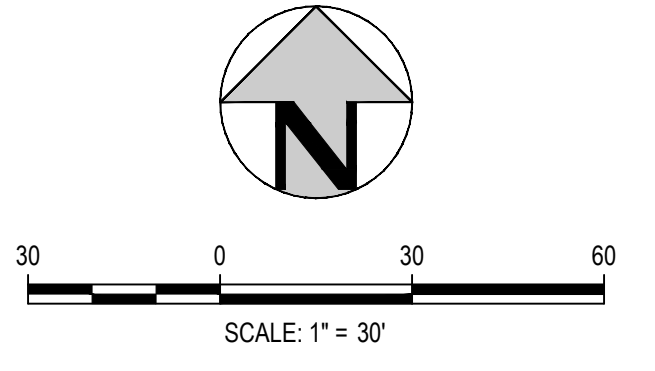


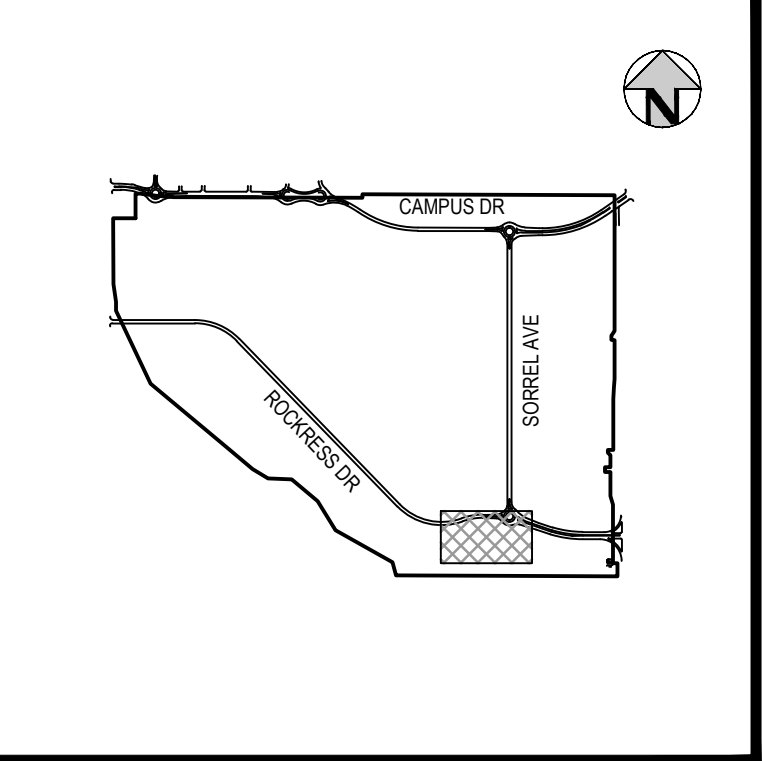
KEY MAP
1"=200'



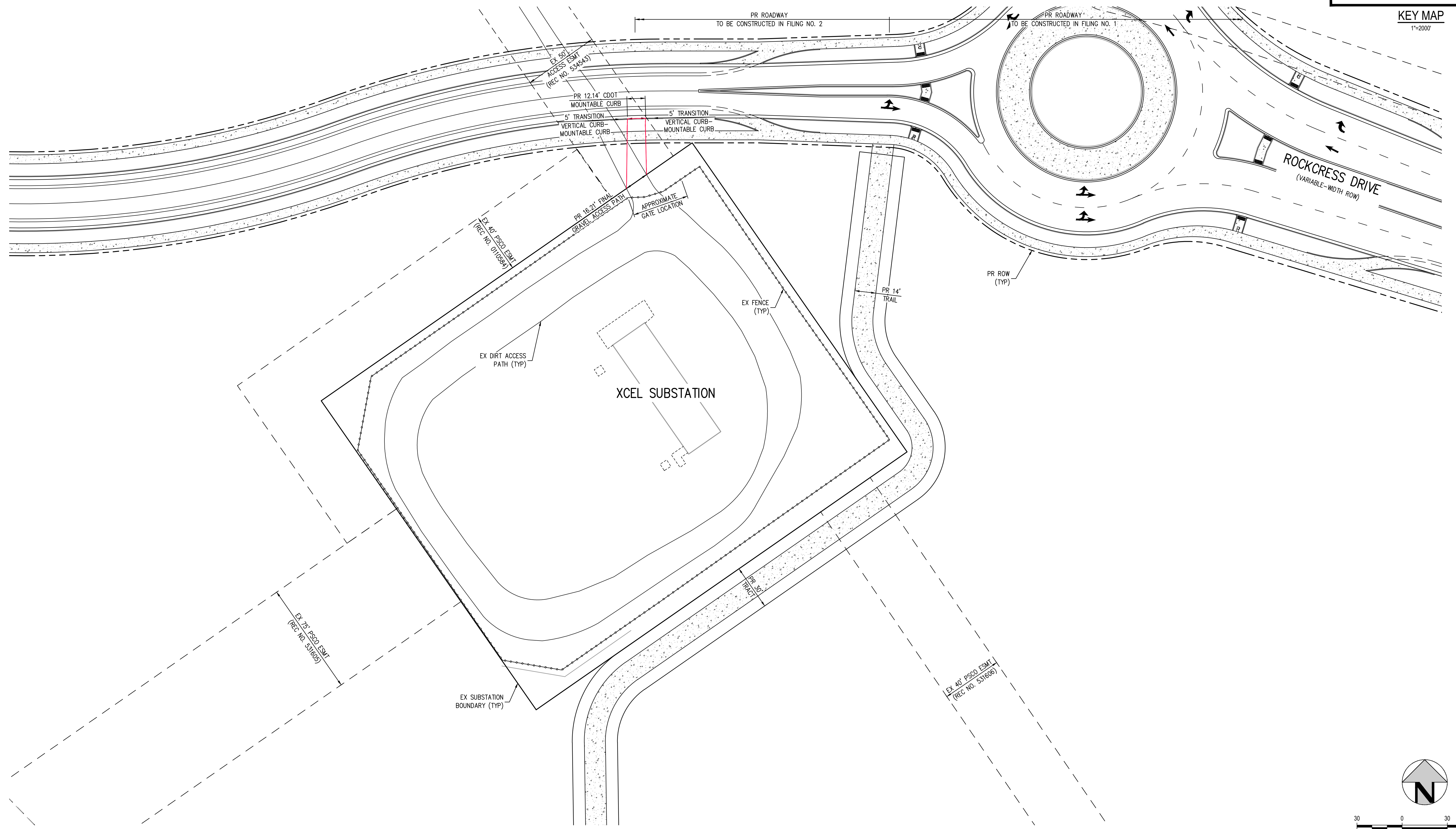
RETAIL RIDGE: FILING NO. 1 (INTERIM) XCEL SUBSTATION ACCESS EXHIBIT



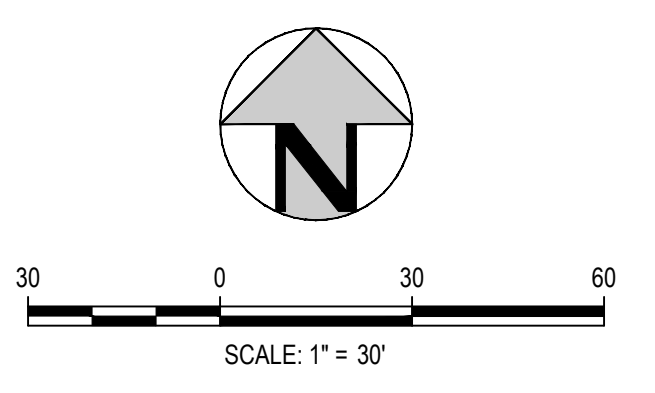
Project: P:\19\08\ENGINEERING\EXHIBIT\TRAIL SUBSTATION EXHIBIT.DWG Layout: INTERIM
Date: 11/12/2017 2:32:29 PM
Author: J. B. B. / J. B. B.



KEY MAP
1"=200'



REDTAIL RIDGE: FILING NO. 2 (FINAL) XCEL SUBSTATION ACCESS EXHIBIT



File: P:\150\ENGINEERING\EXHIBITS\TRAIL SUBSTATION EXHIBIT.DWG Layout: FINAL
Date: 11/11/2021 12:33:40 PM
Author: J. Lee
Plotter: HP DesignJet 2330